



products with a watertight reputation

## AQ-DM-5 - DIGITAL MEDIA LOCKER™

for MP3 devices

### OWNERS MANUAL



! PLEASE READ THIS INSTRUCTION MANUAL BEFORE INSTALLATION AND OPERATION !

- 1 Getting Started..... 3**
  - 1.1 Contents.....3
  - 1.2 Connections.....3
  - 1.3 12-pin Harness Connection.....4
  - 1.4 Mounting the Digital Media Locker.....4
- 2 Location of Controls..... 5**
  - 2.1 Digital Media Locker Controls.....5
  - 2.2 Door Keypad Controls.....5
- 3 Listening to MP3..... 6**
  - 3.1 Power On.....6
  - 3.2 Listening via Auxiliary Input.....6
  - 3.3 Adjust Volume Level.....6
- 6 Specifications & Dimensions..... 7**
  - 6.1 Specifications.....7
  - 6.2 Dimensions.....7
- 7 Warranty Information..... 8**

## 1.1 Contents

- AQ-DM-5 Digital Media Locker™
- Auxiliary Jack Cable (3.5mm Male to 3.5mm Male)
- Wiring Harness (AQ-UNH-2)
- Six (6) Stainless Steel Mounting Screws
- Mounting Template
- Owner's Manual

## 1.2 Connections

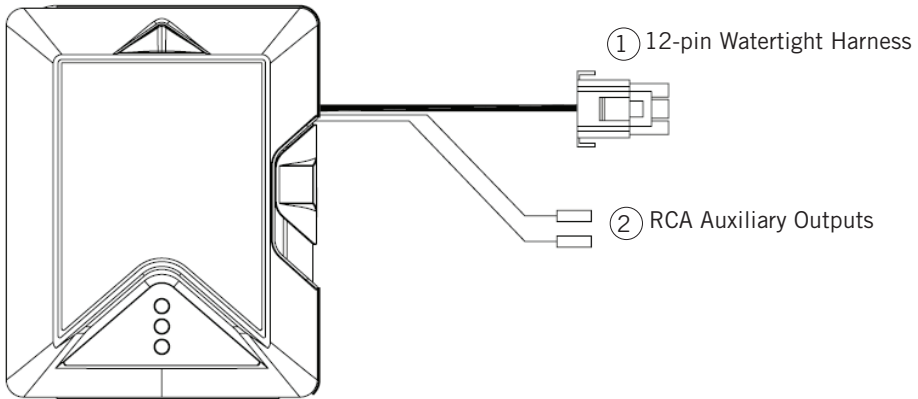
### 1. 12-pin Watertight Harness

The 12-pin harness supplies power and ground connections to the Digital Media Locker and four (4) speaker channel output connections from the Digital Media Locker.

**⚠** Do not cut or modify the 12-pin harness on the Locker side or warranty will be void.

### 2. Auxiliary Outputs

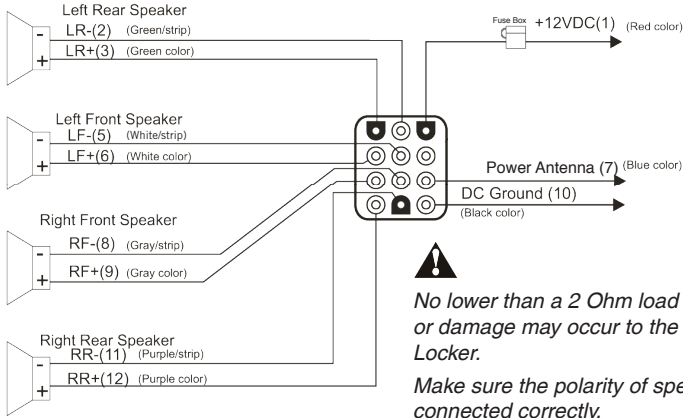
Allows external amplifiers to be connected to power additional speakers.



## 1.3 12-pin Harness Connection

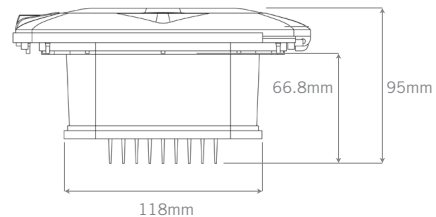
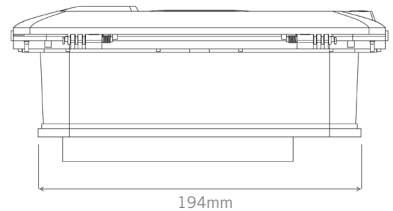
The AQ-DM-5 includes the universal harness AQ-UNH-2 in order to connect the dock to power and speakers.

All open wire connections should be soldered and protected against water and dust for best long term performance.

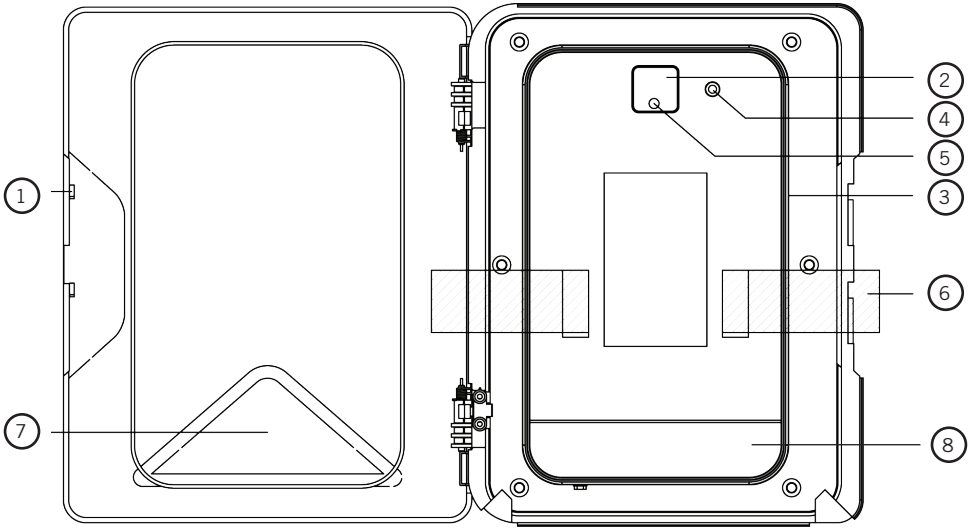


## 1.4 Mounting the Digital Media Locker

1. A mounting template is included. Aquatic AV recommends using the 'measure twice, cut once' method!
2. Once the mounting hole is complete, make sure the outside surface is clean and clear of debris. The Digital Media Locker has an external water/dust proof gasket, but this requires a clean and flat surface for best performance.
3. The Digital Media Locker has six (6) front screws. Drive the screws using a screw driver. During final mounting apply equal pressure to all points for the best water/dust outer seal performance. Make sure screws are snug and do not over tighten.
4. Review all outside surfaces of the Digital Media Locker to ensure proper water/dust seal. This is important for long term environmental protection performance for your digital media device.



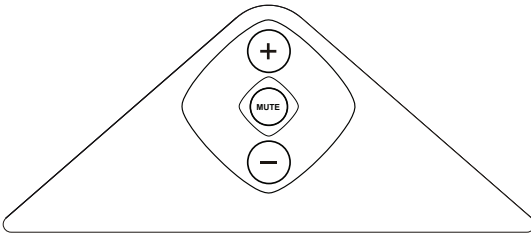
## 2.1 Digital Media Locker Controls



1. Open/Close Latch & Protective Door
2. Power ON/OFF Button
3. Water/Dust Protection Inner Gasket
4. 3.5mm Aux Input for MP3 Devices

5. Power ON/OFF LED
6. Security Strap for digital media devices
7. Door Control Keypad
8. Cable Storage Tray

## 2.2 Door Keypad Controls



Buttons		MP3 Mode
Mute		Press once: Toggle Mute Press and hold: Toggle Mute
Volume Up		Press once: Volume up Press and hold: Fast volume up
Volume Down		Press once: Volume down Press and hold: Fast volume down

## 3.1 Power On

Press the Power ON/OFF button inside the Digital Media Locker. A red light will illuminate when the unit is switched ON.





For applications where a 12V battery is not used, such as in a Spa, the power button can be left ON and the door controls can then be used to power on/off accordingly.


## 3.2 Listening to MP3 devices

1. Connect your MP3 device to the 3.5mm Jack input.
2. Secure the device with the anchor straps provided.
3. Secure the Digital Media Locker's protective door.

 *Always ensure to connect and disconnect your media player with dry hands!*

## 3.3 Adjust Volume Level

1. Press  (VOLUME UP) once to increase the volume.
2. Press  (VOLUME DOWN) once to reduce the volume.
3. Press and hold either  or  and the Digital Media Locker will increase or decrease audio volume continuously.

 *If you experience distortion or poor sound quality, make sure the volume on your media device is not all the way up. We recommend setting the volume of your device at approximately 75%.*

## 4.1 Specifications

### Media

Supported media.....MP3  
Supported media max. dimensions.....107 x 184mm (WxH)  
Device control.....via Door Controls

### Inputs

Auxiliary.....1x 3.5mm Stereo Jack Socket

### Outputs

Pre-Out.....1x Stereo pair RCA (4V)

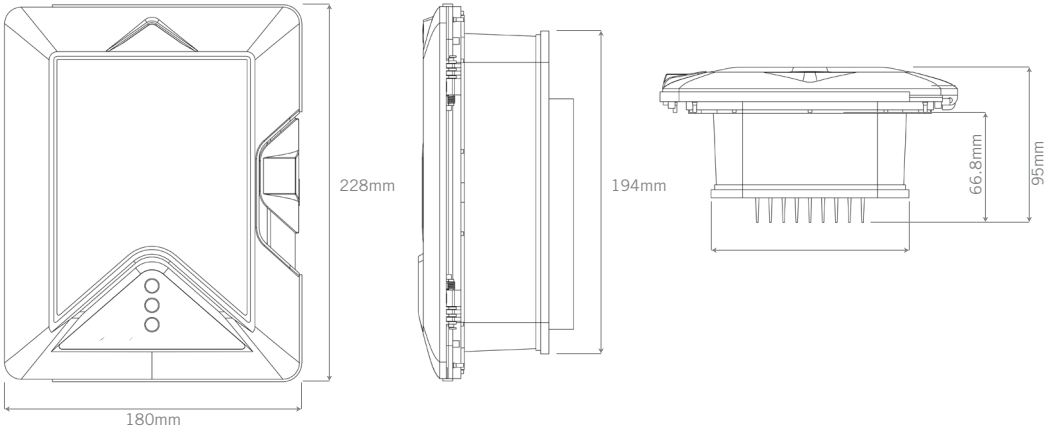
### Power

Output voltage @ 2 Ohm.....4x 72W  
Output voltage @ 4 Ohm.....4x 45W  
Operation voltage.....9.6V - 14.4V DC  
Max current draw.....7A  
Standby current draw.....6mA

### Multi-Environment Certifications

Waterproof / Dustproof.....Yes IP65  
Conformal PCB coating.....Yes  
UV protection.....500 hours stable, ASTM D4329 compliant  
Salt/Fog protection.....500 hours stable, ASTM B117 compliant  
Stainless Steel mountings.....Yes

## 4.2 Dimensions



Aquatic AV offers a limited warranty of our products on the following terms:

**Length of warranty**

2 years on audio systems, electronics, speakers, and accessories (receipt required).

**Coverage**

This warranty covers only the original purchaser of a Aquatic AV product purchased from an authorized Aquatic AV dealer in the United States. In order to receive service, the purchaser must provide Aquatic AV with a copy of the receipt stating the customer name, dealer name, product purchased and date of purchase.

**Defective products**

Products found to be defective during the warranty period will be repaired or replaced (with a product deemed to be equivalent) at Aquatic AV's discretion.

**What is not covered**

Damage caused by accident, abuse, improper operations, theft. Any cost or expense related to the removal or reinstallation of product. Service performed by anyone other than an authorized Aquatic AV service center. Any product with the serial number or tamper labels defaced, altered, or removed. Subsequent damage to other components. Any product not purchased from an authorized Aquatic AV dealer.

**Limit on implied warranties**

Any implied warranties including warranties of fitness for use and merchantability are limited in duration to the period of the express warranty set forth above. Some states do not allow limitations on the length of an implied warranty, so this limitation may not apply. No person is authorized to assume for Aquatic AV any other liability in connection with the sale of the product.

**How to obtain service**

You must obtain a return material authorization number (RMA) to return any product to Aquatic AV. You are responsible for shipping charges of returned products to Aquatic AV.

Please record the model and serial number[s] of your equipment in the space provided below as your permanent record and will assist us with your factory warranty coverage. These numbers can be found on the rear of the Digital Media Locker.

Model number[s]:	Serial number[s]:



FCC ID:  
MADE IN CHINA

This device complies with Part 15 of the FCC Rules. Operation is subject to the following two conditions: (1) this device may not cause harmful interference, and (2) this device must accept any interference received, including interference that may cause undesired operation.

**NOTE:**

The equipment has been tested and found to comply with the limits for a Class B digital device, pursuant to Part 15 of the FCC Rules. These limits are designed to provide reasonable protection against harmful interference in a residential installation. This equipment generates, uses and can radiate radio frequency energy and, if not installed and used in accordance with the instructions, may cause harmful interference to radio communications. However, there is no guarantee that interference will not occur in a particular installation.

If this equipment does cause harmful interference to radio or television reception, which can be determined by turning the equipment off and on, the user is encouraged to try to correct the interference by one or more of the following measures:

- Reorient or relocate the receiving antenna.
- Increase the separation between the equipment and receiver.
- Consult the dealer or an experienced radio/TV technician for help.

The manufacturer is not responsible for any radio or TV interference caused by unauthorized modifications to this equipment. Such modifications could void the user authority to operate the equipment.

Patent: 7,831,756 & 8,578,081

Digital Media Locker is a trademark of Aquatic AV Inc.

Product design and specification subject to change without notice. E&OE.

Doc V1.3



## **Aquatic AV**

282 Kinney Drive  
San Jose, CA 95112, USA

**E-mail:** [info@aquaticav.com](mailto:info@aquaticav.com)

**US & Canada:** 1 877 579 2782

**International:** +1 408 559 1668

**Fax:** +1 408 559 0125

**[www.aquaticav.com](http://www.aquaticav.com)**



**products with a watertight reputation**