

AQ-AD300.2 FULLY WATERPROOF 2 CHANNEL AMPLIFIER



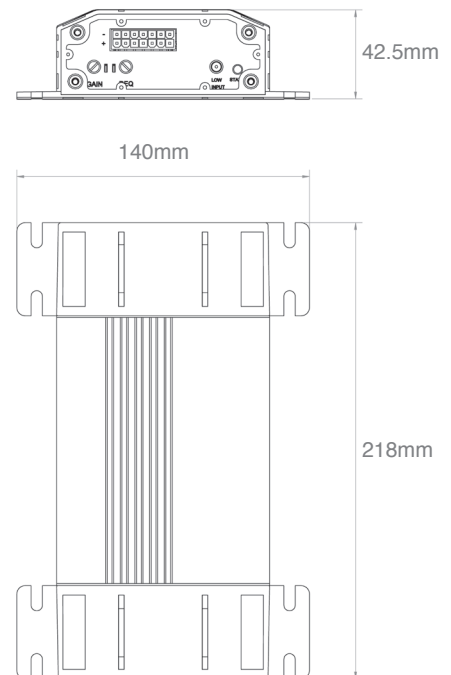
Shockwave Technology™

Shockwave Technology brings together outstanding sound quality, high performance characteristics and unprecedented reliability into a single amplifier. Protected against water and dust, rated IP66. Low-level (RCA) or high-level (speaker) input connections. Stable operating 2ohm and 4ohm speaker configurations. Digital technology and high quality components produce true sound reproduction from any source and reduce EMI, power consumption, strain of battery and charging systems, space and weight! Aquatic AV's Shockwave Technology is now the only sensible amplifier solution for wet, dusty or harsh environments.

Specifications:

Type:	Class D Digital Amplifier
Waterproof:	Yes - IP66
Input Channels (Low Level):	2x RCA
Input Channels (High Level):	2x Speaker
Output Channels:	2
Output Impedance (nominal):	4 Ohms
Power Output (RMS) @ 4 Ohms:	150W (2x 75W)
Power Output (RMS) @ 2 Ohms:	288W (2x 144W)
Frequency Response:	10Hz - 50kHz
THD @ 70W, 4 Ohms:	0.005%
THD @ 75W, 4 Ohms:	0.010%
THD @ 117W, 4 Ohms:	10%
Low Level Sensitivity (RCA Line-In):	200mV - 6V
High Level Sensitivity (Speaker Line-In):	400mV - 12V
Input Impedance:	33k Ohms
Dimensions (HxWxD):	42.5 x 218 x 140 mm
Additional Features:	Gold plated connectors

Dimensions:



Design and specification subject to change without notice.E&OE

Aquatic AV

282 Kinney Drive
San Jose, CA 95112, USA

E-mail: info@aquaticav.com

US & Canada: 1 877 579 2782

International: +1 408 559 1668

Fax: +1 408 559 0125

www.aquaticav.com