

AQ-BC-5UBT BLUECUBE 'HIDE-AWAY' STEREO for BLUETOOTH, USB & MP3 PLAYERS



DESCRIPTION

The AQ-BC-5UBT BlueCube 'hide-away' stereo is designed to be installed out-of-sight and plays music wirelessly via a Bluetooth enabled smartphone, MP3 or USB device.

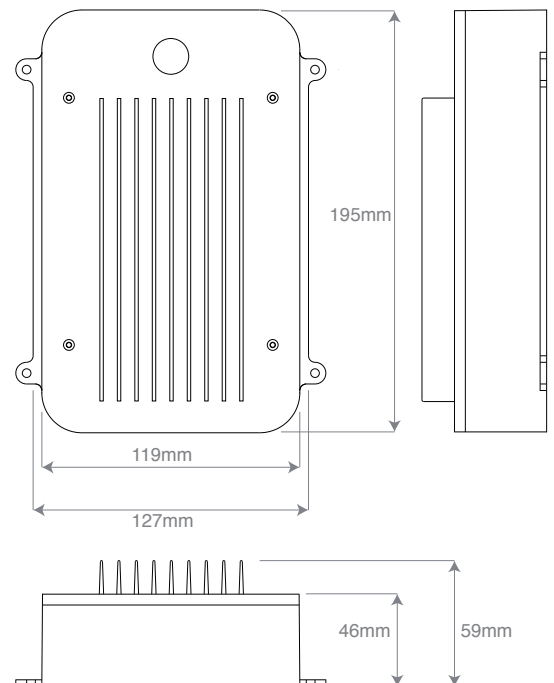
A2DP Bluetooth allows for 2-way communication between remote control and your Apple or Android Bluetooth device, plus iAP Bluetooth provides further enhancements when connected with Apple iOS devices.

Control music directly from the Bluetooth enabled device or with the handheld remote control.

SPECIFICATIONS

Supported Media:	Bluetooth/USB/iPhone/iPod/MP3/AUX/AM/FM
Device Control:	via device or Remote Control
Device Charging:	via USB
Inputs:	Bluetooth, 1x USB, 1x stereo pair RCA
Outputs:	2x stereo pair RCA (4V)
FM Tuner:	3x FM pre-set memory. US/Euro frequencies
Power (max):	4x 45W (4 Ohms), 4x 72W (2 Ohms)
Amplifier Type:	Class A/B (2 Ohm stable)
Output Voltage:	9.6V - 14.4V DC
Current Draw:	7A (max) / 6mA (standby)
Waterproof:	IP65
UV Protection:	500hrs stable
Salt/Fog Protection:	500hrs stable
Certifications:	CE, RoHS, WEE, FCC
Accessories:	AQ-RFBC-5UBT Handheld Remote Control (included) AQ-WRBC-5UBTF Wired Remote Control (sold separately)
Additional Features:	External Trigger (12V DC, 350mA) DSP EQ, Bass/Treble, Balance/Fader, Loudness Stainless Steel mounting hardware

DIMENSIONS



Aquatic AV

282 Kinney Drive
San Jose, CA 95112, USA

E-mail: info@aquaticav.com

US & Canada: 1 877 579 2782

International: +1 408 559 1668

Fax: +1 408 559 0125

www.aquaticav.com

Design and specification subject to change without notice. E&OE

iPhone and iPod are trademarks of Apple Inc., registered in the U.S. and other countries.

Made for iPod and Made for iPhone mean that an electronic accessory has been designed to connect specifically to iPod or iPhone respectively, and has been certified by the developer to meet Apple performance standards. Apple is not responsible for the operation of this device or its compliance with safety and regulatory standards. Please note that the use of this accessory with iPod or iPhone may affect wireless performance.