

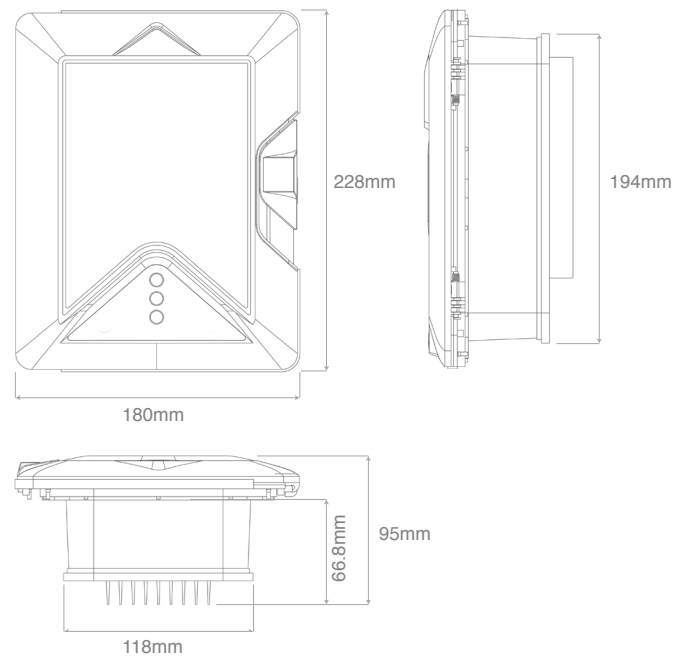
AQ-DM-5 WATERPROOF DIGITAL MEDIA LOCKER



SPECIFICATIONS

Supported Media:	MP3
	Compatible with most smartphones and media players
Supported media max. dims	107 x 184mm (WxH)
Device Volume Control:	via Door Controls
Inputs:	1x 3.5mm jack
Outputs:	1x pair 4V RCA Pre-out
Power (max):	4x 45W (4 Ohms), 4x 72W (2 Ohms)
Amplifier Type:	Class A/B (2 Ohm stable)
Output Voltage:	9.6V - 14.4V DC
Max Current Draw:	7A
Standby Current Draw:	6mA
Waterproof:	IP65
UV Protection:	500hrs stable
Salt/Fog Protection:	500hrs stable
Certifications:	CE, RoHS, WEE, FCC
Additional Features:	Stainless Steel mounting hardware

DIMENSIONS



Patent: 7,831,756 & 8,578,081

Aquatic AV

282 Kinney Drive
San Jose, CA 95112, USA

E-mail: info@aquaticav.com

US & Canada: 1 877 579 2782

International: +1 408 559 1668

Fax: +1 408 559 0125

www.aquaticav.com