

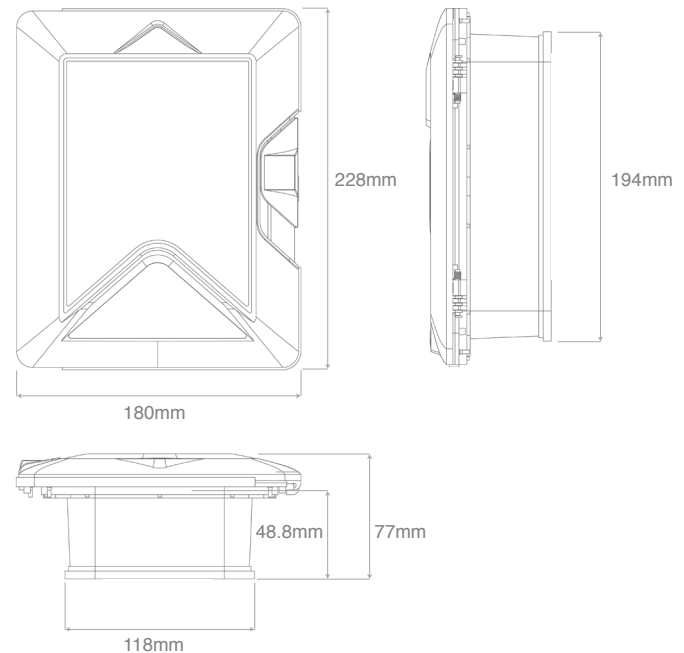
AQ-DML-5 WATERPROOF DIGITAL MEDIA LOCKER



SPECIFICATIONS

Supported Media:	MP3
Supported media max. dims	107 x 184mm (WxH)
Inputs:	1x 3.5mm jack
Outputs:	1x stereo pair RCA
Waterproof:	IP65
UV Protection:	500hrs stable
Salt/Fog Protection:	500hrs stable
Certifications:	CE, RoHS, WEE, FCC

DIMENSIONS



Aquatic AV

282 Kinney Drive
San Jose, CA 95112, USA

E-mail: info@aquaticav.com

US & Canada: 1 877 579 2782

International: +1 408 559 1668

Fax: +1 408 559 0125

www.aquaticav.com