

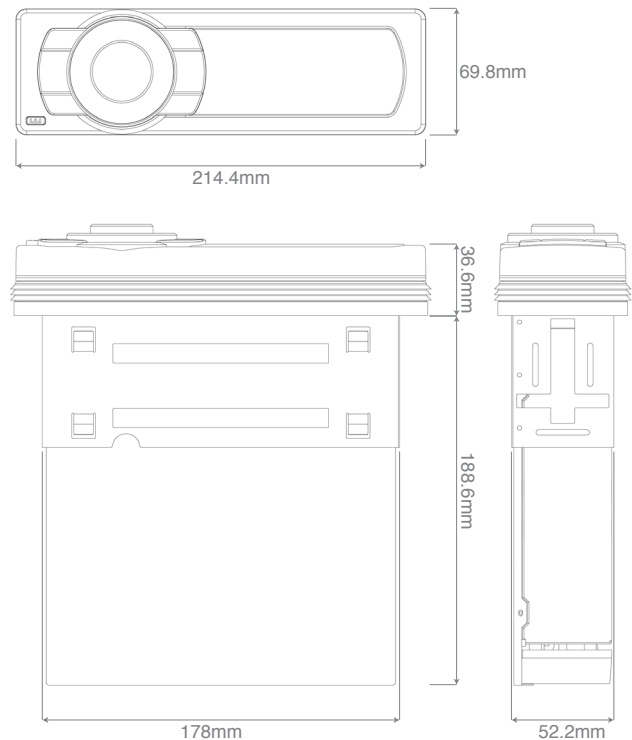
AQ-MP-5BT WATERPROOF MEDIA PLAYER



SPECIFICATIONS

Supported Media:	Bluetooth/MP3/AM/FM <i>Fits devices up to the size of Samsung Galaxy Note and iPhone 6 Plus.</i>
Device Charging:	via USB
Display:	Dot Matrix LCD
Detachable Faceplate:	Yes
Inputs:	Bluetooth, 1x 3.5mm stereo jack, 1x stereo pair RCA
Outputs:	1x pair RCA Pre-out (2V)
AM/FM Tuner:	18x FM, 12x AM pre-set memory. US/Euro frequencies
Power (max):	4x 45W (4 Ohms), 4x 72W (2 Ohms)
Amplifier Type:	Class A/B (2 Ohm stable)
Output Voltage:	9.6V - 14.4V DC
Current Draw:	7A (max) / 6mA (standby)
Waterproof:	Yes - IP55
UV Protection:	500hrs stable
Salt/Fog Protection:	500hrs stable
Certifications:	CE, RoHS, WEE, FCC
Fascia Material:	ABS
Chassis Material:	ZAM Coated
Accessories:	AQ-WR-5F Remote Control (sold separately)
Additional Features:	Removable Faceplate Bass/Treble, Balance/Fader, Loudness Stainless Steel mounting hardware

DIMENSIONS



Patent: 8,578,081

Aquatic AV

282 Kinney Drive
San Jose, CA 95112, USA

E-mail: info@aquaticav.com

US & Canada: 1 877 579 2782

International: +1 408 559 1668

Fax: +1 408 559 0125

www.aquaticav.com

Design and specification subject to change without notice.E&OE