

## AQ-SPK6.5-4 ECONOMY 6.5" WATERPROOF SPEAKER



AQ-SPK6.5-4W

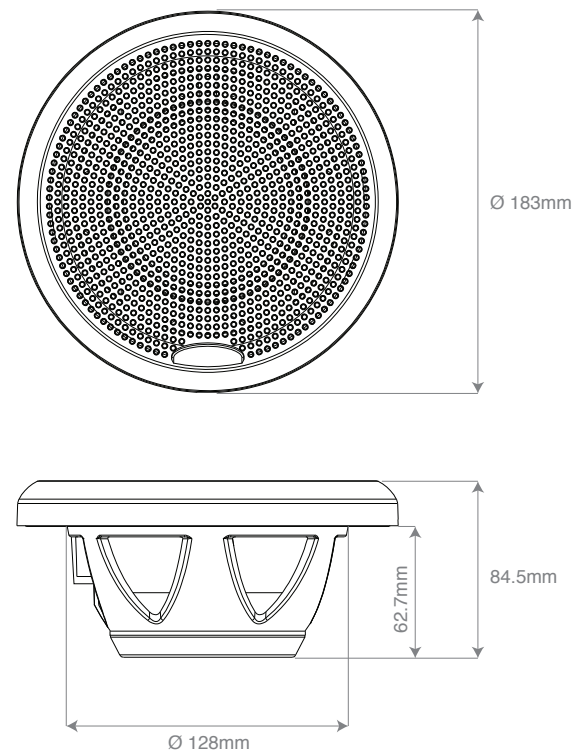


AQ-SPK6.5-4B

### SPECIFICATIONS

Type:	Full-range, co-axial waterproof speaker
Cone Size:	6.5"
Tweeter Size:	0.5"
Outside Grill Diameter:	183mm
Mounting Hole Diameter:	128mm
Mounting Depth:	62.7mm
Impedance:	4 Ohm
Frequency Response:	60Hz - 20,000 Hz
Power (max):	100W
Power (RMS):	50W
Waterproof:	Yes
Grill Material:	UV Plastic, 300hrs stable
Basket Material:	UV Plastic, 300hrs stable
Cone Material:	Polypropylene
Tweeter Material:	High compliance Polymer
Rubber Surround Material:	Non-corrosive rubber
Magnet Material:	Ferrite
Magnet Protection:	Plastic water guard
Certification:	RoHS
Additional Features:	Stainless Steel mounting hardware
	Available with White (AQ-SPK6.5-4W)
	or Black (AQ-SPK6.5-4B) removable grill

### DIMENSIONS



### Aquatic AV

282 Kinney Drive  
San Jose, CA 95112, USA

E-mail: [info@aquaticav.com](mailto:info@aquaticav.com)

US & Canada: 1 877 579 2782

International: +1 408 559 1668

Fax: +1 408 559 0125

[www.aquaticav.com](http://www.aquaticav.com)

Design and specification subject to change without notice.E&OE