

AQ-SPK6.5-4LW 6.5" FULL RANGE CO-AXIAL WATERPROOF SPEAKER



White, black or chrome grill available with blue LED cone illumination

White: AQ-SPK6.5-4LW

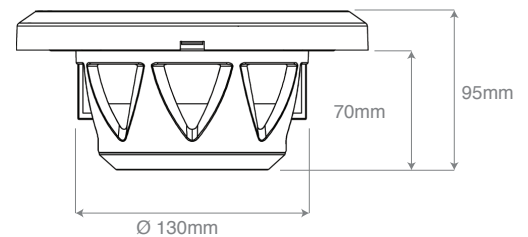
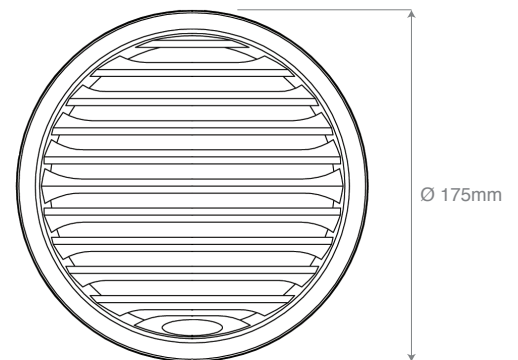
Black: AQ-SPK6.5-4LB

Chrome: AQ-SPK6.5-4LC

SPECIFICATIONS

| | |
|---------------------------|---|
| Type: | Full-range, co-axial waterproof speaker |
| Cone Size: | 6.5" |
| Tweeter Size: | 13mm |
| Outside Grill Diameter: | 175mm |
| Mounting Hole Diameter: | 130mm |
| Mounting Depth: | 70mm |
| Impedance: | 4 Ohm |
| Frequency Response: | 52Hz - 20,000 Hz |
| Power (max): | 100W |
| Power (RMS): | 50W |
| Waterproof: | Yes |
| Grill Material: | UV Plastic, 500hrs stable |
| Basket Material: | UV Plastic, 500hrs stable |
| Cone Material: | Polypropylene |
| Tweeter Material: | Neodymium |
| Rubber Surround Material: | Non-corrosive rubber |
| Magnet Material: | Ferrite |
| Magnet Protection: | Plastic water guard |
| Weight (single speaker): | 904g |
| Certification | RoHS, ASTM B117, ASTM D4329 |
| Additional Features: | Available with White, Black or Chrome removable grill |
| | Blue LED cone illumination |
| | Stainless Steel mounting hardware |

DIMENSIONS



Aquatic AV

282 Kinney Drive
San Jose, CA 95112, USA

E-mail: info@aquaticav.com

US & Canada: 1 877 579 2782

International: +1 408 559 1668

Fax: +1 408 559 0125

www.aquaticav.com

Design and specification subject to change without notice.E&OE