

## AQ-DM-6UBT WATERPROOF DIGITAL MEDIA LOCKER



**Now with Halo Aerial Technology and Virtual Bass!**

**Halo Aerial Technology** improves the standard Bluetooth wireless signal and range, for a stronger signal and increased range in all directions.

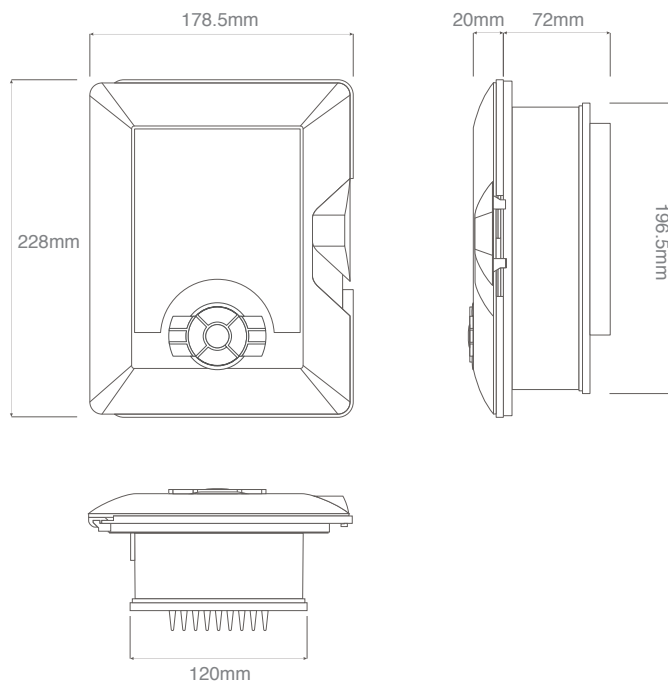
**Virtual Bass** uses digital technology to enhance bass response. Even on small speakers the perceived bass frequencies are extended to create a richer listening experience.



### SPECIFICATIONS

<b>Supported Media:</b>	Bluetooth Audio / USB / MP3 / FM / AUX
<b>Supported media max. dims</b>	107 x 184mm (WxH)
<b>Device Control:</b>	via Door Controls & RF Remote Control
<b>Device Charging:</b>	Yes - via USB
<b>Remote Control Charging:</b>	Yes - via internal dock
<b>Halo Aerial Technology:</b>	Yes
<b>Inputs:</b>	1x USB, 1x 3.5mm jack, 1x pair RCA Aux, Bluetooth
<b>Outputs:</b>	2x stereo pair RCA (4V)
<b>FM Tuner:</b>	3x Pre-set memory. Switchable US/Euro frequencies
<b>Power (max):</b>	4x 45W (4 Ohms), 4x 72W (2 Ohms)
<b>Amplifier Type:</b>	Class A/B (2 Ohm stable)
<b>Output Voltage:</b>	9.6V - 14.4V DC
<b>Max Current Draw:</b>	7A
<b>Standby Current Draw:</b>	6mA
<b>Waterproof:</b>	IP65
<b>UV Protection:</b>	500hrs stable
<b>Salt/Fog Protection:</b>	500hrs stable
<b>Certifications:</b>	CE, RoHS, WEE, FCC
<b>Accessories:</b>	AQ-RF-6UBT-T Handheld Remote Control (included)
<b>Additional Features:</b>	External Trigger (12V DC, 2A)
	LED 'Mode' indication
	Blue LED illumination of internal dock
	Virtual Bass, DSP EQ, Bass/Treble, Balance/Fader
	Stainless Steel mounting hardware

### DIMENSIONS



Patent: 8,578,081

### Aquatic AV

282 Kinney Drive  
San Jose, CA 95112, USA

E-mail: info@aquaticav.com  
US & Canada: 1 877 579 2782  
International: +1 408 559 1668  
Fax: +1 408 559 0125

www.aquaticav.com

Design and specification subject to change without notice. E&OE

iPhone and iPod are trademarks of Apple Inc., registered in the U.S. and other countries.

Made for iPod and Made for iPhone mean that an electronic accessory has been designed to connect specifically to iPod or iPhone respectively, and has been certified by the developer to meet Apple performance standards. Apple is not responsible for the operation of this device or its compliance with safety and regulatory standards. Please note that the use of this accessory with iPod or iPhone may affect wireless performance.